



EXPERTS IN ULTRAVIOLET DISINFECTION

www.atguv.com



WF RANGE
FOR AQUATIC APPLICATIONS

WF (WAFER) - MEDIUM PRESSURE UV SYSTEMS

UV System	WF-115-3	WF-115-4	WF-225-6	WF-225-8
Performance				
Certification	CE Marked			
UV Lamps and Monitoring				
Lamp Power Range	0.75 kW - 1.5kW	0.75 kW - 1.5kW	1.25 kW - 2.5kW	1.25 kW - 2.5kW
Lamp Number	1	1	2	2
Lamp Life	9,000 Hours			
Lamp Design	TWISTLOK™ Quick Release, Enhanced Safety - Medium Pressure			
UV Monitoring	AT-463 (4-20 mA) IP66			
Variable Power	100% to 50% Power (automatic dose pacing)			

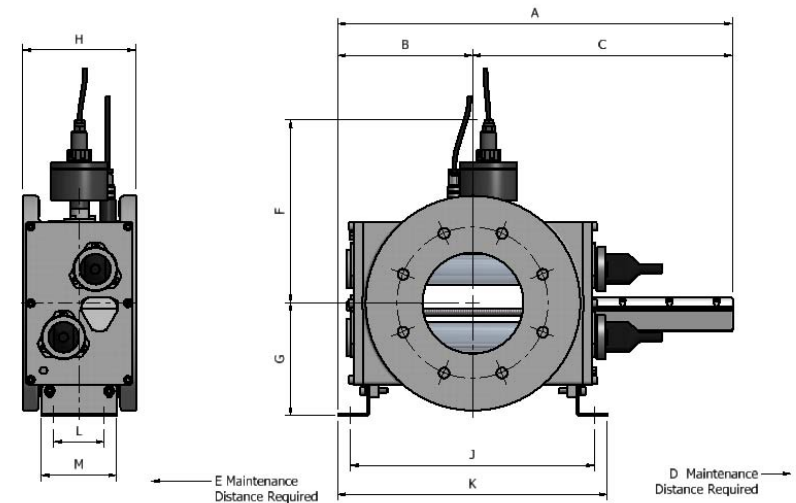
UV Chamber				
Connection Size (mm/inch)	DN 80/3"	DN 100/4"	DN 150/6"	DN 200/8"
Connection Type	BS4504 PN10 RF Flange			
Design Pressure	10 Barg Design (15 Barg test)			
Material Construction	Cast 316L Stainless Steel			
Internal / External Finish	(Cast Finish) Electropolished			
Lamp and Wiper Access	Single Ended Access			
Quartz Type	High Purity Quartz Sleeves			
Mounting	Fixed Brackets			
Wiper System	Manual Wiper System (optional) / Automatic Wiper System (optional)			
Temperature Probe	AT-487 (PT-100) - IP66			
Vent & Drain Ports	Yes			
Ingress Protection	IP65			
Installation	Horizontal or Vertical			
Chamber Options	Super Duplex 25% Chrome Steel / Connection Types			

Spectra II - Local Control Cabinet				
Design	Epoxy Coated Mild steel - IP54 Standard			
Control Type	Microprocessor			
Interface	Soft Touch Push Button with 4 Line Text Display / 7" Touch Screen HMI - Full Colour Display (optional)			
Communication	Modbus / Data Stream (other fieldbus options available)			
Lamp Power Supply	Choke			
Power Consumption	1650 W		5500 W	
Mains Power	230 V Others Available		400 V Others Available	
Power Requirements	1 Ph + N + E		3 Ph + N + E	
Frequency	50 Hz (60 Hz Optional)			
Protection	Door Locked Isolator, MCB & Earth Leakage Protection			
Operating Temperature	Max Working Ambient +45 °C			
Operational Information	Please See SPECTRA II Datasheet For Further Information & Upgrade Options			

WF Range:

The worlds' most compact medium pressure UV System for swimming pools & aquatics. With optimised hydraulic performance for increased efficiency and special TWISTLOK™ lamp design for enhanced safety, the WF series offers both significant installation and operational benefits.

KEY FOOTPRINT DIMENSIONS



UV System	WF-115-3	WF115-4	WF225-6	WF-225-8
Chamber Dimensions				
A	514 mm	514 mm	630 mm	630 mm
B	158 mm	158 mm	215 mm	215 mm
C	357 mm	357 mm	415 mm	415 mm
D	370 mm	370 mm	485 mm	485 mm
E	250 mm	250 mm	250 mm	250 mm
F	231 mm	231 mm	292 mm	292 mm
G	120 mm	120 mm	180 mm	180 mm
H	160 mm	160 mm	180 mm	180 mm
J	275 mm	275 mm	390 mm	390 mm
K	315 mm	315 mm	430 mm	430 mm
L	80 mm	80 mm	80 mm	80 mm
M	120 mm	120 mm	120 mm	120 mm
Dry Weight	27 kg	26 kg	57 kg	53 kg
Wet Weight	30 kg	29 kg	57 kg	53 kg

Spectra II - Dimensions				
Width	740 mm	740 mm	740 mm	740 mm
Height	760 mm	760 mm	1000 mm	1000 mm
Depth	290 mm	290 mm	340 mm	340 mm
Weight	55 kg	55 kg	75 kg	75kg
Standard Cable Length	6 metres			