

QC7_7CB5K_W/PF20 Systems

Quick-change Base Water Filter System for Commercial & Residential applications



APPLICATIONS

Fountain beverages
Drinking water
Ice maker
Coffee maker

FEATURES AND BENEFITS

Reduces chlorine taste and odor and other offensive contaminants. Improves the taste of water and beverages

Reduces extra fine dirt and particles as small as 5 micron in size. (as tested by Everpure)

Saves energy by reducing limescale build-up
Scale can also cause excessive machine downtime and increased maintenance costs

Features KDF® Media which inhibits microbial build-up

2 0" prefilter reduces dirt and particles

Sanitary cartridge replacement is simple, quick and clean. Internal filter parts are never exposed to handling or contamination

NSF Certified under NSF/ANSI Standards 42

OPERATIONAL TIPS

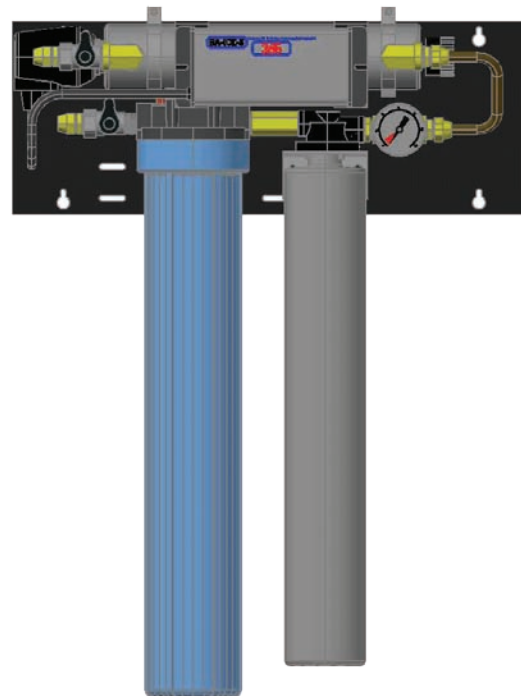
Replace sediment filter 5 micron when dirt has penetrated through to the inner core of the cartridge

Change Everpure cartridges a regular 6 month preventative maintenance program

Change cartridges when capacity is reached or when pressure falls below 10 psi

Always flush the filter cartridge at time of installation and cartridge change

UV Lamp must be changed annually (or 9,000 hrs.)



*optional part

SPECIFICATIONS

System	Service Flow Rates	Rated Capacities
QC7_7CB5K_W/PF20	1.67 GPM	10,000 gallons (37,854 L)
QC7_7CB5K_W/PF20+S1Q-PA	2 GPM	10,000 gallons (37,854 L)

QC7_7CB5K_W/PF20 Systems

Quick-change Base Water Filter System for Commercial & Residential applications

INSTALLATION TIPS

Mounts directly onto flat surface.

Install vertically so cartridge hangs down.

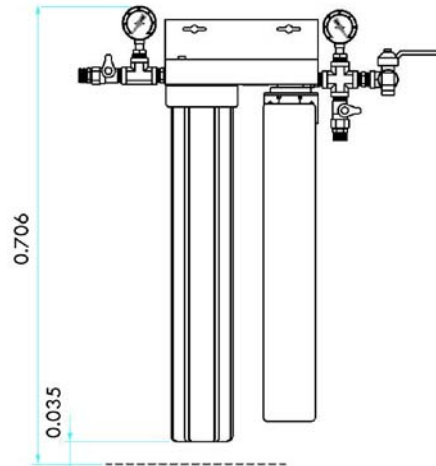
Allow 2½" clearance below the cartridge for easy cartridge replacement.

Flush filter by running water through filter according to cartridge instructions.

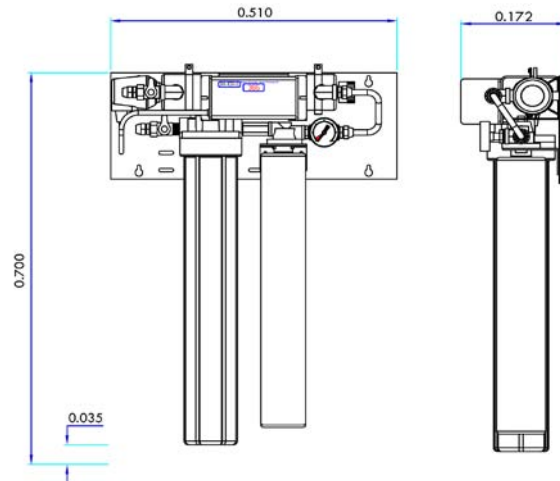
Refer to Installation, Operation & Maintenance Manual for cartridge flushing and start-up.



Systems Tested and Certified by NSF International against NSF/ANSI Standards 42 for the reduction of:
Standard No. 42
Aesthetic Effects
Chemical Reduction
Taste & Odor
Chlorine



QC7_7CB5K_W/PF20



QC7_7CB5K_W/PF20+S1Q-PA

EVERPURE[®]
WATER YOU CAN TRUST[®]

SteriLIGHT



Filter vision Co.,Ltd.

95 Soi Ramintra 117, Ramintra Rd., Minburi, Minburi, Bangkok Thailand 10510
Tel.+(662)518-2722 (Auto 6 Lines) Fax.+(662)518-2723 www.filtervision.co.th